

# Mono Audio Adapter

black RCA Male / 2x RCA Female



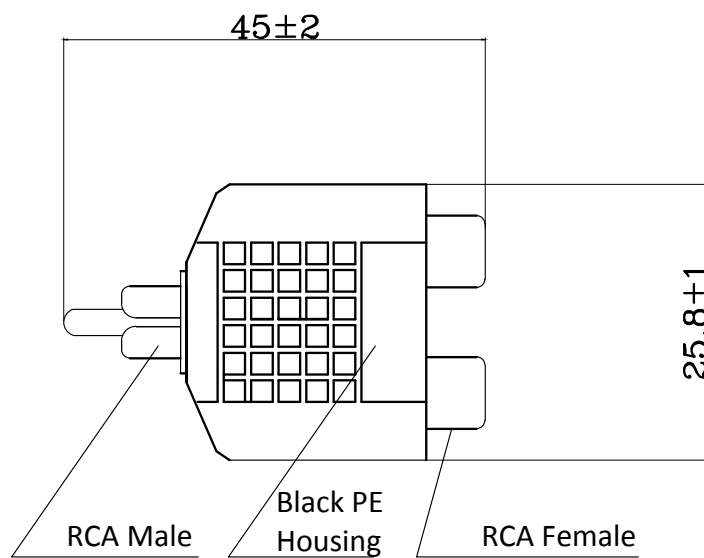
## SPECIFICATION:

Poles	2
Connection A	RCA Male
Connection B	2x RCA Female
Gender of contacts	Male / Female / Female
Colour	black
Adapter design	Straight
Adapter type	RCA
Plating	Nickel
Housing Material	Polyethylene (PE)
Length	45 mm



## Art. Nr.

RND 205-00582



pin out

